

THIS STRUCTURE IS DESIGNED IN ACCORDANCE WITH HB 8630:2004 NZS TRACKS AND OUTDOOR VISITOR STRUCTURES

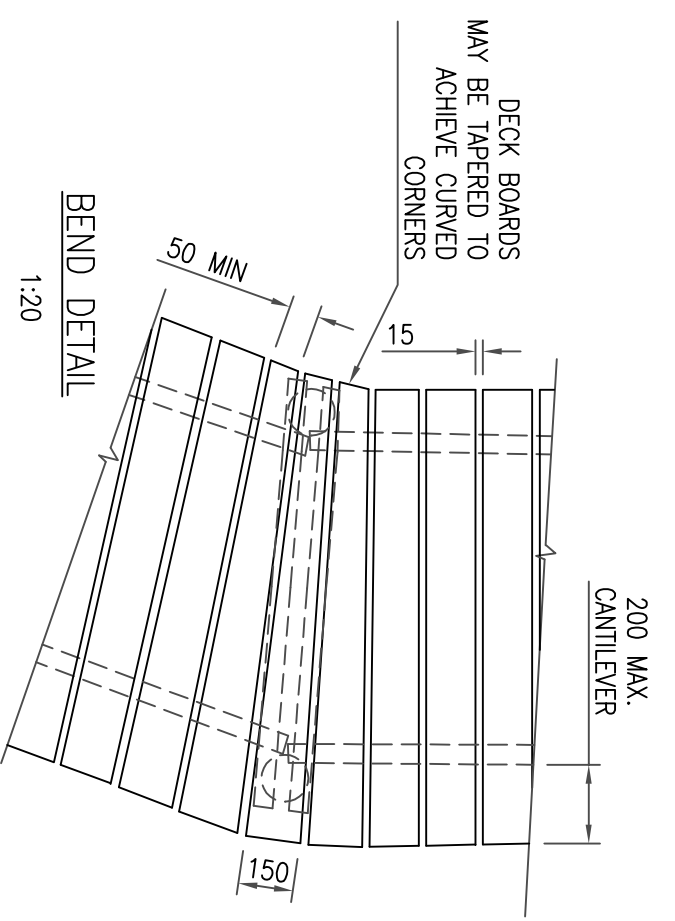
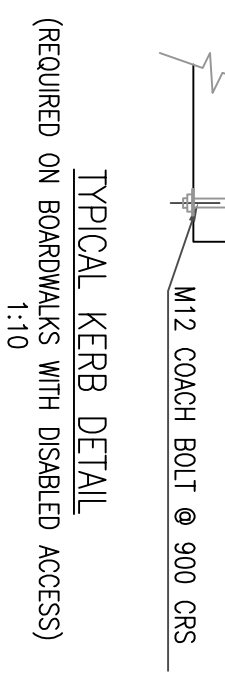
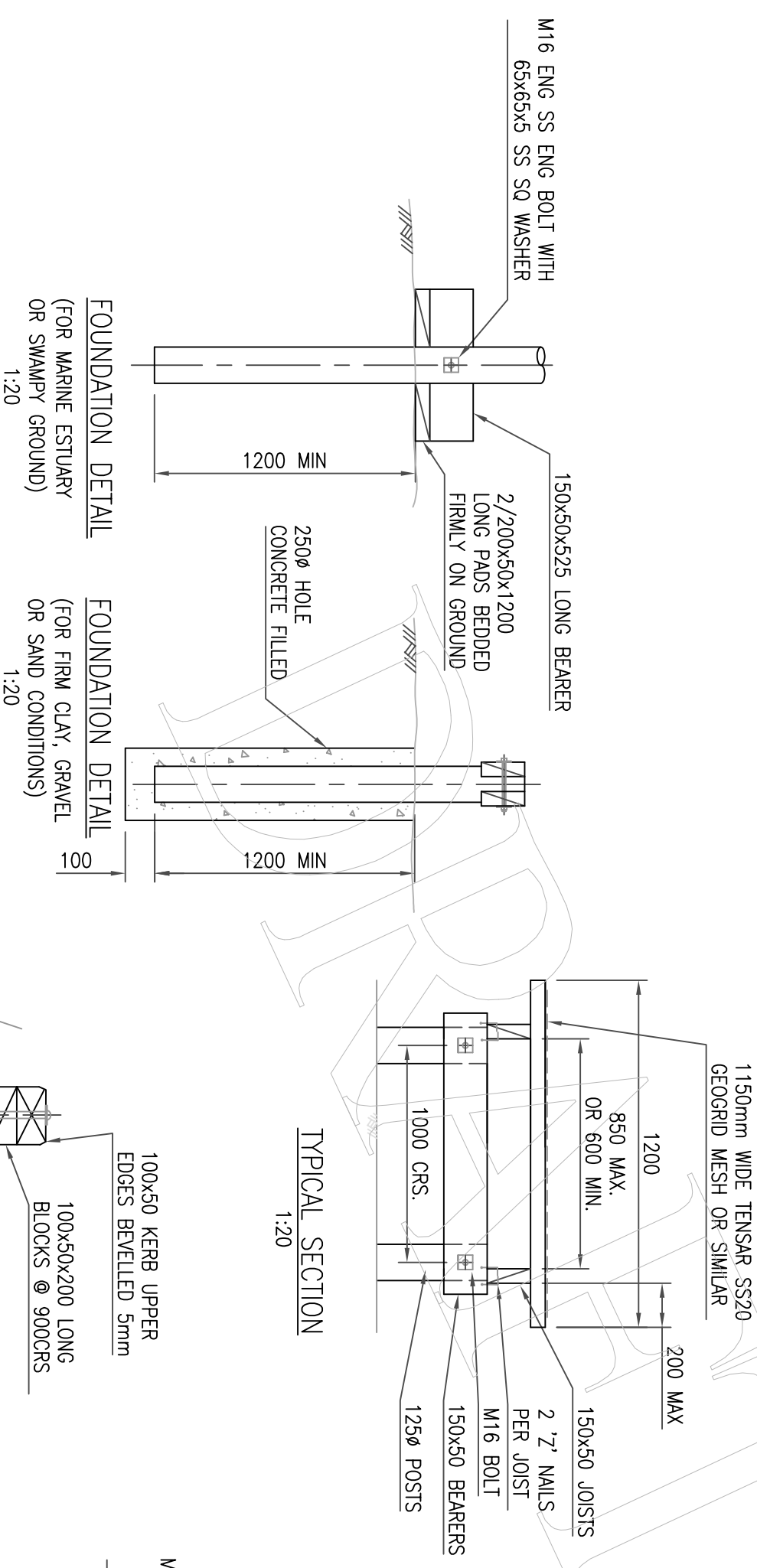
DESIGN DETAILS:	
SITE USER GROUP	UR, SST, DV
STRUCTURE TYPE	ACCESS
DECK DESIGN LOAD	4.0kPa
FALL HEIGHT	MAX 1.5m

NOTES

BARRIER REQUIRED ON SIDES WHERE THE FALL HEIGHT IS GREATER THAN 1.5m. REFER TO NZS HB8630 FOR DETAILS. REFER TO SHEET 03 FOR BARRIER FIXING DETAIL.

A BUILDING CONSENT IS REQUIRED FOR THE STRUCTURE IF THE FALL HEIGHT IS GREATER THAN 1.0m.

ENSURE BEARING CAPACITY OF POST HOLE IS GREATER THAN 100kPa.



FOUNDATION DETAIL (FOR MARINE ESTUARY OR SWAMPY GROUND) 1:20

FOUNDATION DETAIL (FOR FIRM CLAY, GRAVEL OR SAND CONDITIONS) 1:20